

Fixed Grille



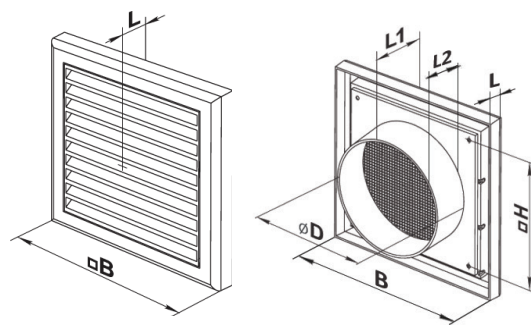
Fixed Grille

Application

- For supply and exhaust ventilation.
- Wall or ceiling mount.
- Internal or external mounting.

Design

- Made of quality durable plastic.
- Two piece structure.



ESC Code	B	H	L	L1	L2	Flange (OD)
VFG100	140	140	15	47	32	100
VFG125	174	174	15	47	32	125
VFG150	174	174	15	47	32	150
VFG200	250	215	12	43	30	200

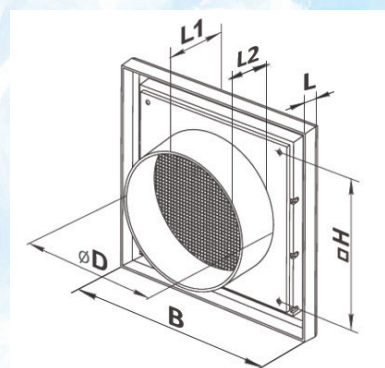
Eggcrate Grille



Eggcrate Grille

Application

- For exhaust ventilation.
- Ceiling mount.
- External or internal mounting



ESC Code	B	H	L	L1	L2	Flange (OD)
EG100	140	140	15	47	32	100
EG125	174	174	15	47	32	125
EG150	174	174	15	47	32	150

Round Grille



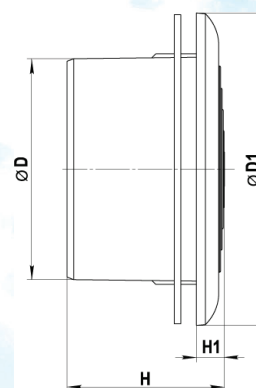
Round Grille

Application

- For supply and exhaust ventilation.
- Wall or ceiling mount.
- Internal or external mounting.

Design

- Made of quality durable plastic.
- Two piece structure.
- Complete with mounting clips



ESC Code	ØD1	H	L	H1	L2	Flange (OD)
VRG100	141	141	-	12.5	-	100
VRG125	166	166	-	14	-	125
VRG150	188	188	-	15	-	150